



The SX-100RT

Safety is guaranteed on the SX-100RT: the low profile of the hood, the two cameras, the 12" touch screen display, showing machine and engine parameters in real time and the Swivel Seat give the driver a 360 degrees visibility, total control and best comfort.

The anti-tipping system gives great stability to the whole machine. Additional benefits come from the position of the radiator, placed laterally and from the oil exchanger, integrated into extendable counterweight frame.



LIFT CAPACITY
100-ton



WEIGHT
60-ton



HORSEPOWER
415 HP

Specifications

Engine

Model	CAT C9.3B EU Stage V / Tier 3 / Tier 4 Final
Rated power	310 kW / 415 HP
Rated speed	1,800 - 2,200 rpm
Displacement	567.5 cu in (9.3 L)
Design	In-line 6, 4-stroke cycle diesel, turbocharged-aftercooled (TA)
Injection system	Direct fuel injection
Batteries	2 x 180 Ah / 12 V

Travel Drive

Transmission system	Hydrostatic
Travel speed	5 mph (8 km/h)

Weight

Operating weight	60 ton
Body machine	18 ton
Undercarriage	20 ton
Counterweights	17 ton
Boom	4 ton
Various	0.9 ton

Hydraulics

Hydraulic system

- Pump for winches: variable displacement open circuit
- Pump for drive: variable displacement closed circuit
- Pump for fan drive: fixed displacement open circuit

Pump flow max.

- Drive: 600 L
- Winches: 200 L
- Fan drive: 200 L
- Machine general services: 150 L

Pressure limitation.

- Drive: 450 bar
- Machine general services: 250 bar
- Winches: 350 bar
- Charge pressure: 32 bar

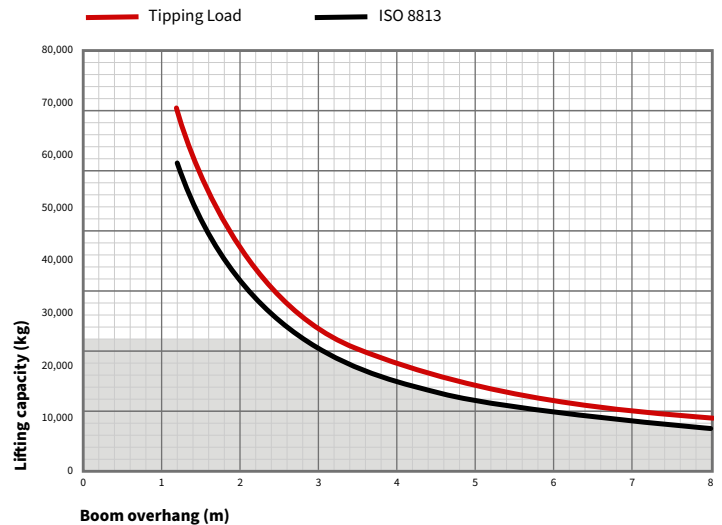
Hydraulic Winch

Cable diameter	19mm
Cable length	120/125 m
Hook speed (up/down)	9/12 m/min
Safety	Free-fall (Load lifting only)

Refill Capacities

Fuel tank	550 L
Urea tank	45 L
Hydraulic tank	400 L

Lifting Chart





LIFT CAPACITY
100-ton



WEIGHT
60-ton

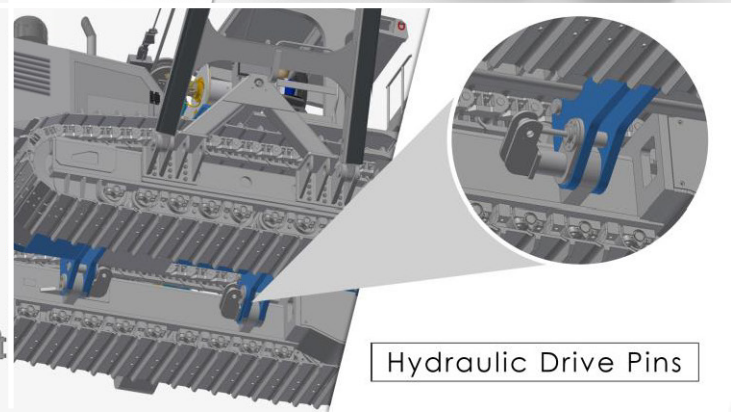
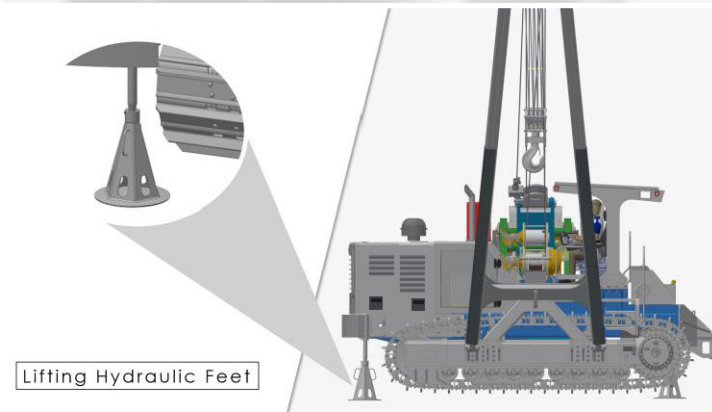
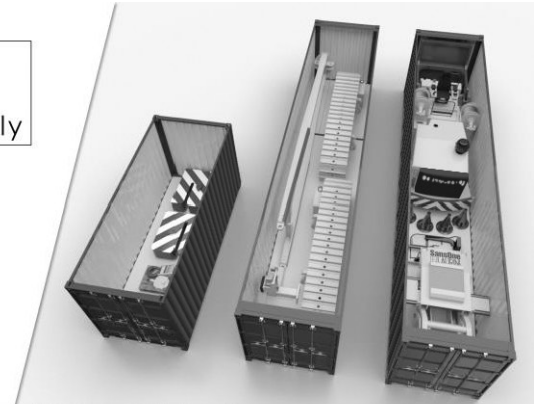


HORSEPOWER
415 HP

Transportation



Quick
Assembly
Disassembly



Dimensions

